

- Keyway transmission and frictionally engaged connection can prevent or reduce reverse backlash. Surface pressure of the feather key connection is reduced.
- Coupling can be installed and removed without moving the drive and driven equipment.
- The dynamic balance is only for one side of hub, Grade G6.3. For the grade G2.5, please specify in the order.
- Torsionally flexible, maintenance-free.
- Light mass, small moment of inertia.
- Damping impact and vibration.
- Axial plug-in, fail-safety.
- Maximum torque of elastomer is twice of the rated torque.
- Mounting instructions at 03.106.

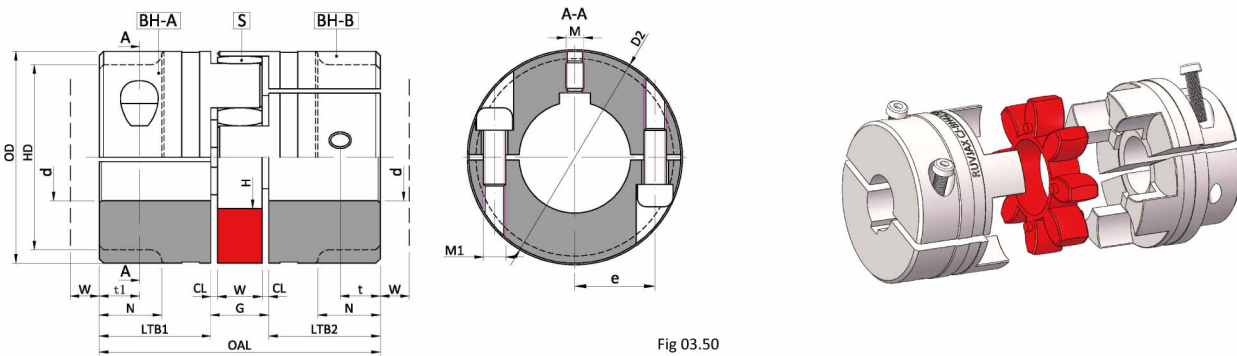


Fig 03.50

03.47

Size	Spider Rated Torque N.m			Dimensions mm													Set Screw				Hexagon socket screw			
	-	92ShA	98ShA	64ShD	d _{max}	d	OAL	LTB1-LTB2	G	CL	W	OD	HD	N	D1	OAL1	OAL2	e	W	M	t	T _A	t1	M1xL1
24	35	60	75	28	-	-	30	18	2.0	14	55	-	-	57.5	78	20	12	M5	10	2	15.0	M6x20	14	
28	95	160	200	38	-	-	35	20	2.5	15	65	-	-	73.0	90	25	12	M8	15	10	17.0	M8x25	35	
38	190	325	405	-	24-45	114	45	24	3.0	18	80	78	37	-	-	30	15	M8	15	10	22.5	M8x30	34	
42	265	450	560	-	24-55	126	50	26	3.0	20	95	94	40	-	-	30	15	M8	20	10	25.0	M10x35	67	
48	310	525	655	-	24-60	140	56	28	3.5	21	105	104	45	-	-	35	15	M8	20	10	28.0	M12x40	115	
55	410	685	825	-	24-70	160	65	30	4.0	22	120	118	52	-	-	40	15	M10	20	17	32.5	M12x45	115	
65	625	940	1175	-	24-70	185	75	35	4.5	26	135	115	61	-	-	45	15	M10	20	17	37.5	M12x40	115	
65	625	940	1175	-	70-80	185	75	35	4.5	26	135	135	61	-	-	50	15	M10	20	17	37.5	M12x45	115	
75	1280	1920	2400	-	40-80	210	85	40	5.0	30	160	135	69	-	-	51	20	M10	25	17	42.5	M16x50	290	
75	1280	1920	2400	-	80-90	210	85	40	5.0	30	160	160	69	-	-	57	20	M10	25	17	42.5	M16x50	290	
90	2400	3600	4500	-	40-90	245	100	45	5.5	34	200	160	81	-	-	60	30	M12	30	40	50.0	M20x60	560	
90	2400	3600	4500	-	90-110	245	100	45	5.5	34	200	200	81	-	-	72	30	M12	30	40	50.0	M20x60	560	

- CJ24-28 Hub standard material is powder metal, 38-90 hub standard material is cast iron, 100-180 hub standard material is steel 45#.
- D is the bore diameter; The metric bore according to ISO fit H7. The feather keyway according to DIN6885 sheet1-JS91. The inch bore is in accordance with AGMA9002-C14 standard, the bore is clearance fit, and the keyway is commercial grade.
- Hexagon socket set screws with cup point is accordance with DIN ISO4029, Strength class :12.9. T_A is tightening torque, unit: Nm.
- Hexagon socket set screws with cup point is accordance with DIN EN ISO4029, hardness class 45H. T_A is tightening torque, unit: Nm.
- CJ100-180, 4 hexagon socket screws for each hub, more details, please refer to document 03.40.01.
- Data sheet of CJ-BH2 radial drop-out type, without keyway, please contact RUVJAX.